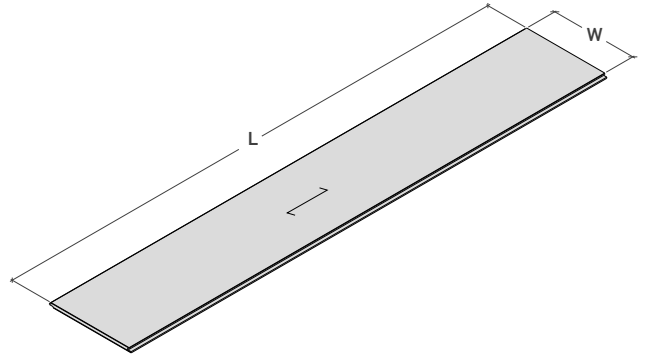
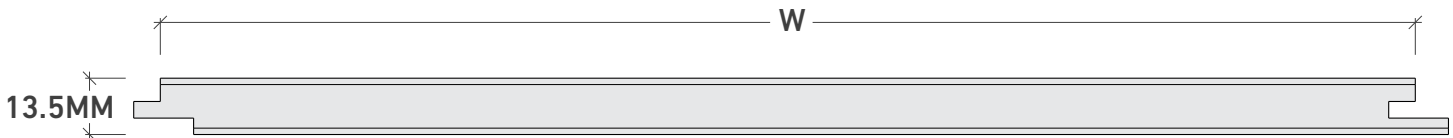


# WALLS + CEILINGS PANEL [MDF]



MADERA MDF core Panels are intended for application on walls and ceilings and can be specified in fixed lengths up to fourteen feet. Made with natural oak veneers in various grades up to twelve inches wide on a MDF core. Wall and ceiling panels feature a custom tongue and groove profiled for easy installation, and are available in all MADERA finishes, various dimensions and multiple grades.



## PANELS [MDF]

SPECIES	COLLECTION	GRADE	PLATFORM	PROFILE	GRADED FACES	THICKNESS	WIDTH	LENGTH
European Oak	All Finishes	Premium R+Q Up to 6in Prime Choice	MDF 0.6mm or 1.5mm Sliced Veneer	T+G	One side Graded + Finished	13.5mm .53in	160-300mm 6.3in - 11.81in	2438mm 96in 2743mm 108in 3048mm 120in 3353mm 132in 3658mm 144in 3962mm 156in 4267mm 168in

M A D E R A